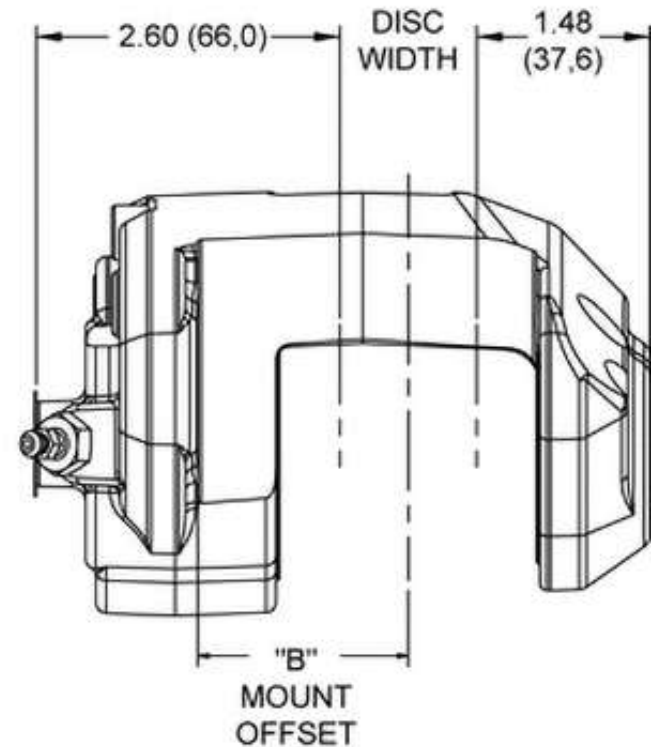


DIMENSION "D1" = (DISC DIAMETER/2) - .37 (9,3)
 CALIPER MOVES INWARD AS PAD WEARS, .38 (9,5) MAX.
 INLET FITTING: M10 x 1.5 BANJO

THIS CALIPER IS A DIRECT REPLACEMENT FOR FACTORY
 CALIPERS USING THE D154 TYPE BRAKE PAD.

DISC WIDTH	"B" MOUNT OFFSET
.81 (20,6)	1.67 (42,4)
1.04 (26,4)	1.80 (45,8)



DISC DIAMETER	"E" OUTSIDE RADIUS
11.00 (279,4)	6.82 (173,2)
11.75 (298,5)	7.19 (182,6)
11.88 (301,8)	7.26 (184,4)
12.19 (319,6)	7.41 (188,2)